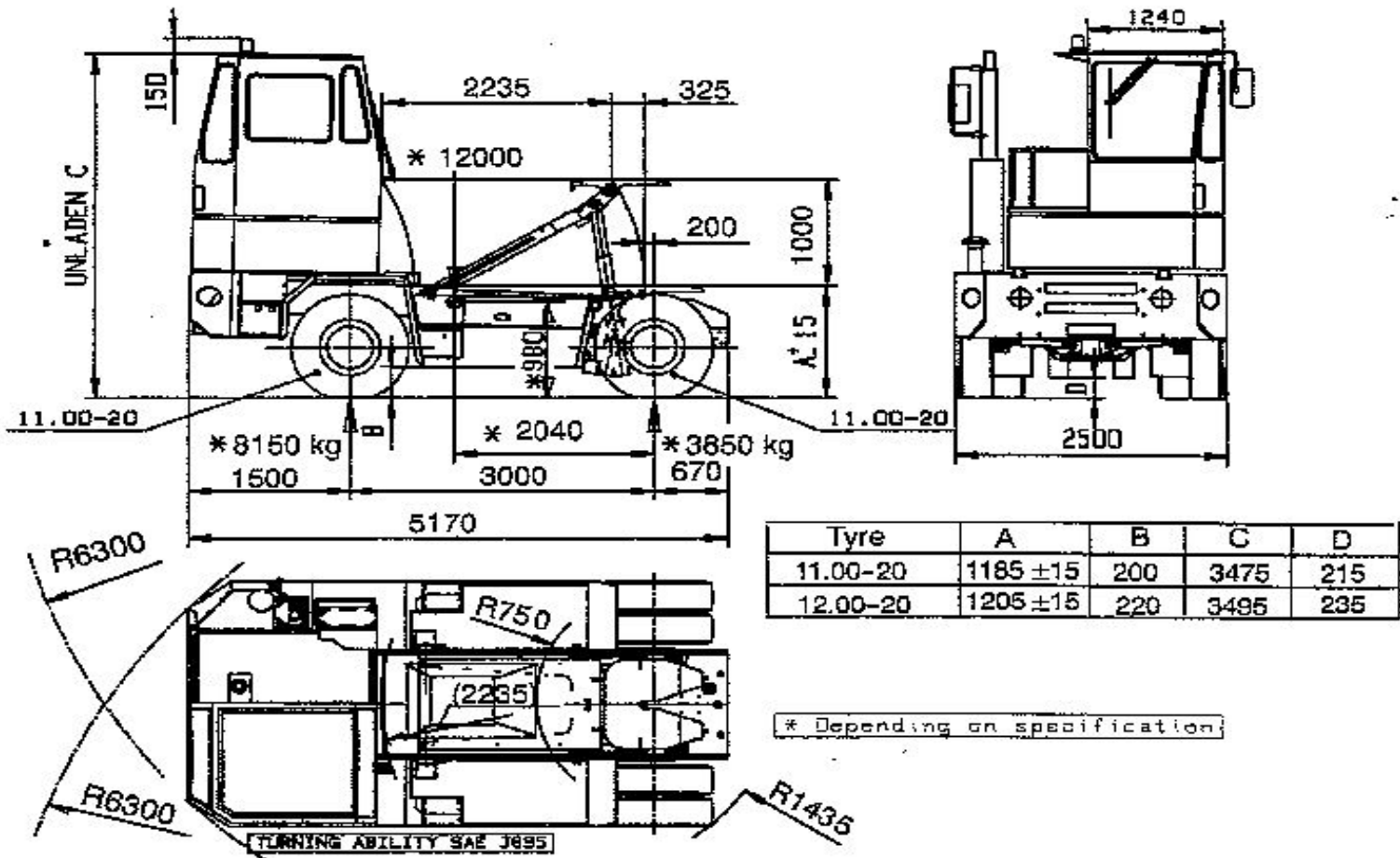


DIMENSIONAL DRAWING



Turning radius

- front fender, left 6 300 m
- front fender, right 6 300 m
- Overall length 5 170 mm
- Overall width 2 500 mm
- Overall height *) 3 495 + 150 mm
- Axle clearance 3 000 mm
- Overall weight *) 12 000 kg
- front axle weight *) 8 150 kg
- rear axle weight *) 3 850 kg

Max. fifth wheel loading 35 000 kg

*) depending on outfit